

SPRAY BOOTHS AND EXTRACTION SOLUTIONS



HBC system®



MOBILE

HYBRID PAINT BOOTH

Outside the box
**Revolutionizing
spot repairs**



What truly differentiates a Mobile Hybrid Paint Booth from comparable products is the location of the painter. Unlike traditional solutions, the painter is not working inside the spray booth, along with the harmful fumes and substances; he is safely located outside the booth! Meaning a spot repair job can be achieved completely without a mask, glasses, etc.

We have literally thought "outside the box" to solve an issue that has always plagued the automotive paint business. Looking to the near future the Mobile Hybrid Spray Booth is also the optimal solution for electric vehicles where the risk of explosion is typically higher.

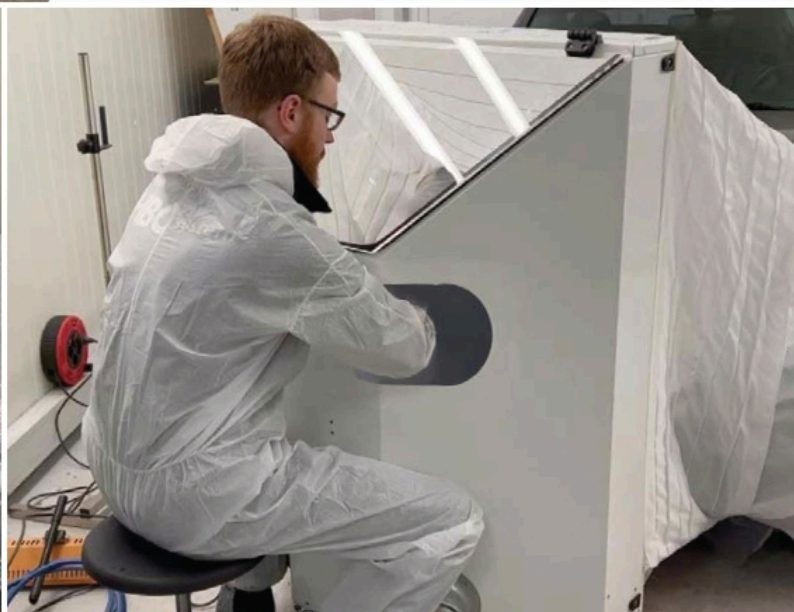
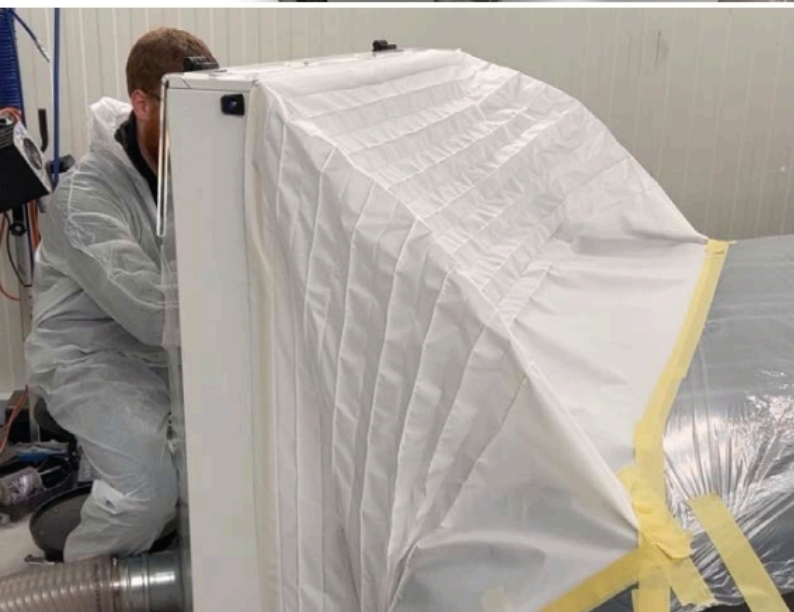
The Mobile Hybrid Spray Booth has no limitations on where it can be used. It can be deployed everywhere! Since the mobile paint booth completely encloses the repair/paint area you can even place it in workshops where additional people are present.

The painter is safely located outside the spray booth, so a paint job can be achieved completely without respirators or other safety equipment

Attaches directly to the damaged area on the car, creating an enclosed space for the perfect spot repair



**Hybrid Paint Booth
SM1000**



MOBILE

HYBRID PAINT BOOTH

- » Inlet and paint-stop filters ensures a clean and dust-free paint job
- » Perfect balance between optimal lighting, air inlet in the ceiling, and outlet in the floor
- » Designed to prevent paint overspray
- » It matches the same airflow and air quality as in traditional spray booths
- » Applicable for paint jobs on cars, caravans, motorhomes, vans, trucks, buses, buildings,...

» **Environmentally friendly**

The ventilation is concentrated on the damaged area. No need to occupy a full spray booth for a spot repair.

» **Time Saving**

You avoid having to clean and mask the entire car for a small spot repair - only the damaged area itself.

» **Low running costs**

It uses the warm air from the workshop and runs on a normal 110-230V

» **Safe and clean**

No paint smell or hazardous fumes in the workshop. The workshop floor remains clean

» **Work directly on the car**

Stop waiting for a busy spray booth to free up

» **Can be utilized everywhere**

Also on sales premises and normal workshops as the paint booth is 100% enclosed on the damaged area. Easy to move around the workshop with the mounted wheels

Filtered air inlet

Utilizing light from surroundings or optional external LED light

CE and ATEX compliant
Operates from outside

Maximum spray dimensions
H: 1000 mm x W 1000 mm

110-230V 16A standard socket

Outlet with paint-stop filter

2 Outlet fans with high airflow capacity

4 mounted wheels





- Allows profitable spot repairs (1 panel)
- Allows for minor repairs to be conducted outside of the spray booth
- Compliance with regulations
- Sustainable
- Adds flexibility to the workflow
- Safer working environment than a traditional spray booth (No exposure to the worker)

LOWERS ENERGY CONSUMPTION BY UP TO 96%

+ Optional Extras

- » Electric lift for paint jobs at heights up to 2M
- » Built-in IR / UV drying upgrades
- » LED light panels
- » 10M exhaust hose (ATEX)

ACCESSORIES

Mobile Fan system for Hybrid Paint Booth

Mobile ATEX-approved fan with high airflow and small footprint.



SM500



Mobile Filter Unit

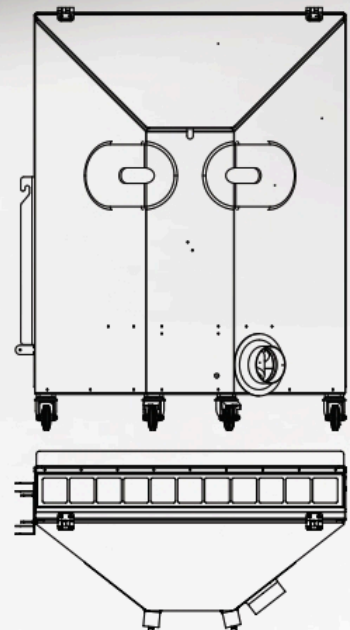
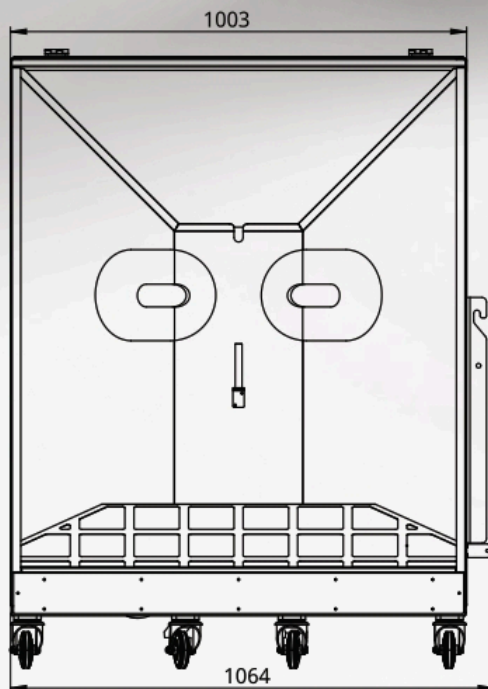
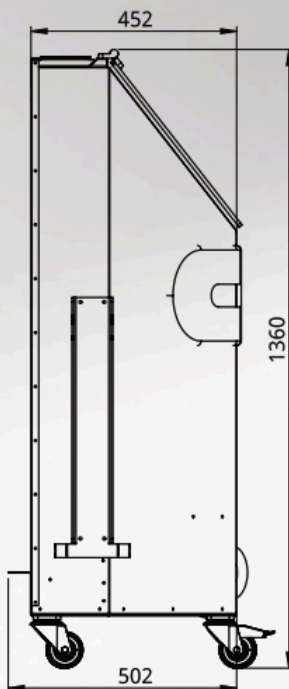
Consisting of two levels of filtration, the first level features a pleated filter (synthetic media) designed to pre-filter micro particles and dust. The second level includes four active charcoal filter tubes to reduce fumes and odors. The filter unit is designed to be connected to any of the following equipment:

- Mobile Hybrid Paint Booth
- Mobile Fan system
- Alloy Wheel Spray Booth

MOBILE

HYBRID PAINT BOOTH

When connecting the Mobile Hybrid Spray booth to the Filterbank or the Smartwall you eliminate the need to run exhaust tubes through a chimney outside of the building. Allowing for up to 5 inlet tubes connected simultaneously. Can be placed anywhere, and comes standard with wheels, so it is fully movable.



Ensuring 100% pollution free air. Distributing the contaminated air out of the building.

FILTERBANK > SMARTWALL

Smartwall
SM3000



FilterBank
SM2000



MOBILE

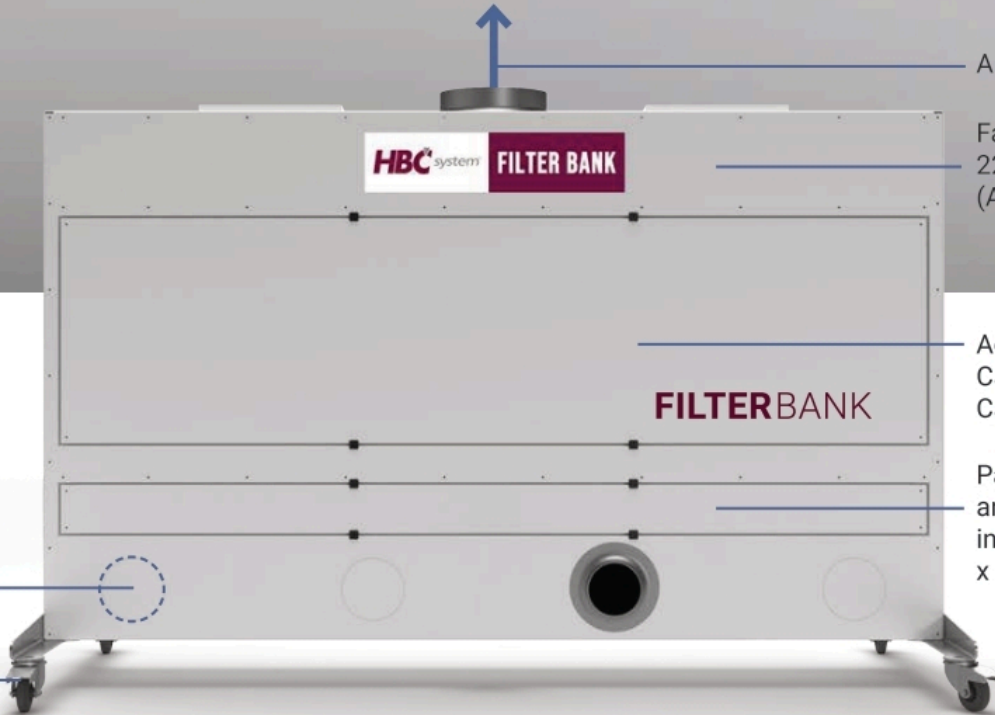
FILTERBANK + SMARTWALL

Ensuring a safe, clean work environment

Filterbank
SM2000

Connect up to 5 Hybrid Paint Booths

Caster roller wheels x 4



Air Outlet

Fans
220 / 110 Volt
(ATEX) x 2

Activated Carbon Filter Cartridges x 26

Paint stop and particle inlet filters x 3

The SmartWall and Filterbank are unique state-of-the-art repair solutions for air cleaning, doing minor damage non-structural repairs inside a workshop where dust & fume extraction is necessary.

- ✓ Lower installation cost than traditional setups
- ✓ 100 % guaranteed clean air
- ✓ Compliance with regulations
- ✓ Sustainable
- ✓ Adds flexibility to the workflow
- ✓ Lowers energy consumption

Innovative 4-Stage Filtration System

Differential pressure switches monitor airflow pressure and indicate when filters need replacing.

Stage-1 Paint Arrestor

(Paper Media) to collect the dissociative particles.

Stage-2 Micro-filter (Synthetic Media)

to collect fine particles and dust.

Stage-3 Pleated Box (Synthetic Media)

to pre-filter micro particles & dust.

Stage-4 Carbon Block (Active Charcoal filter)

to reduce fumes and odours.



Zero Pollution Activated Carbon Filters

Combines highest removal efficiency with low pressure drop.

Includes 26 x filterbags

Filter class: ePM1 60%

Lightweight frame

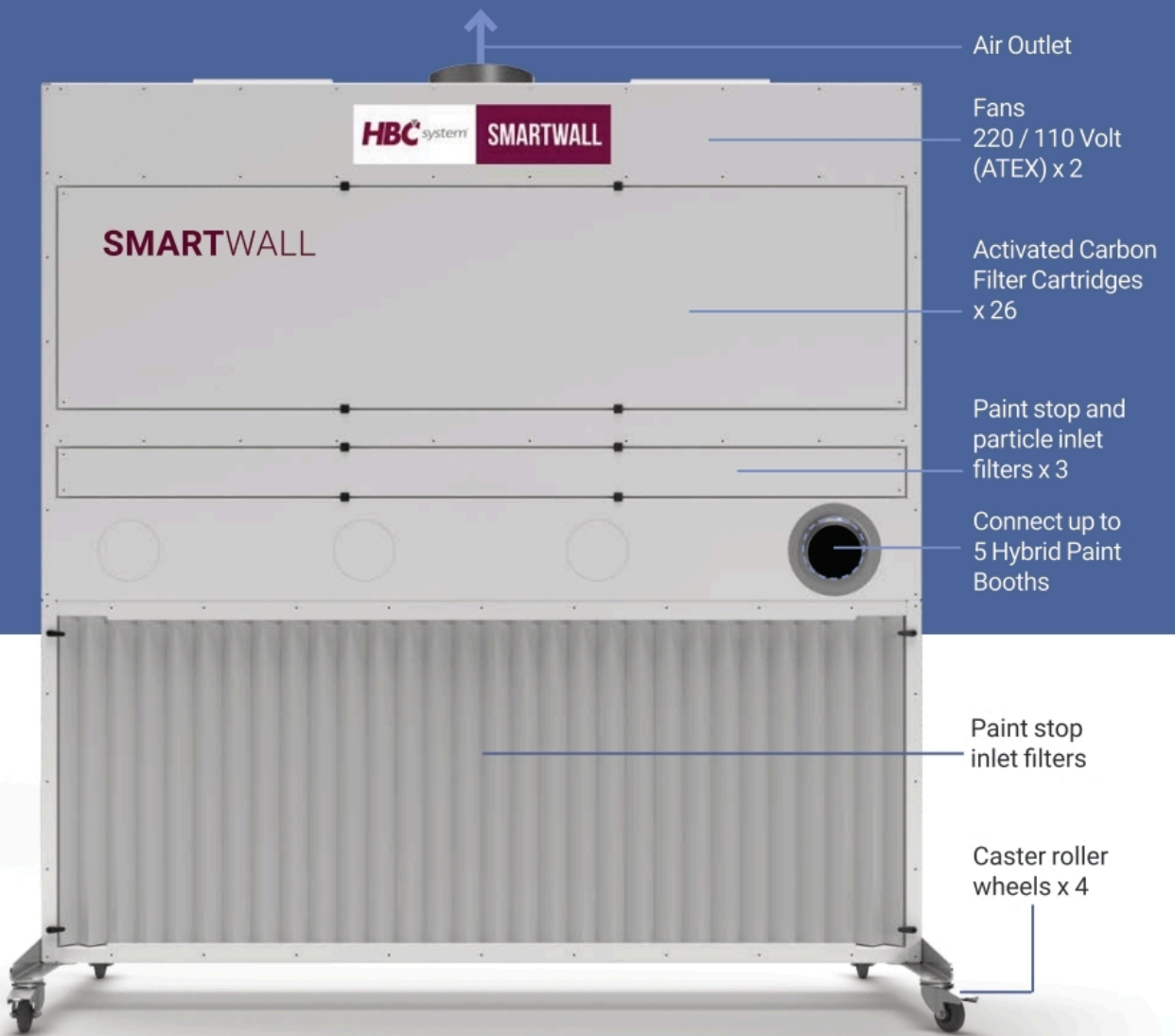
Inherently leak-free design

High dust collection capacity

Constant efficiency

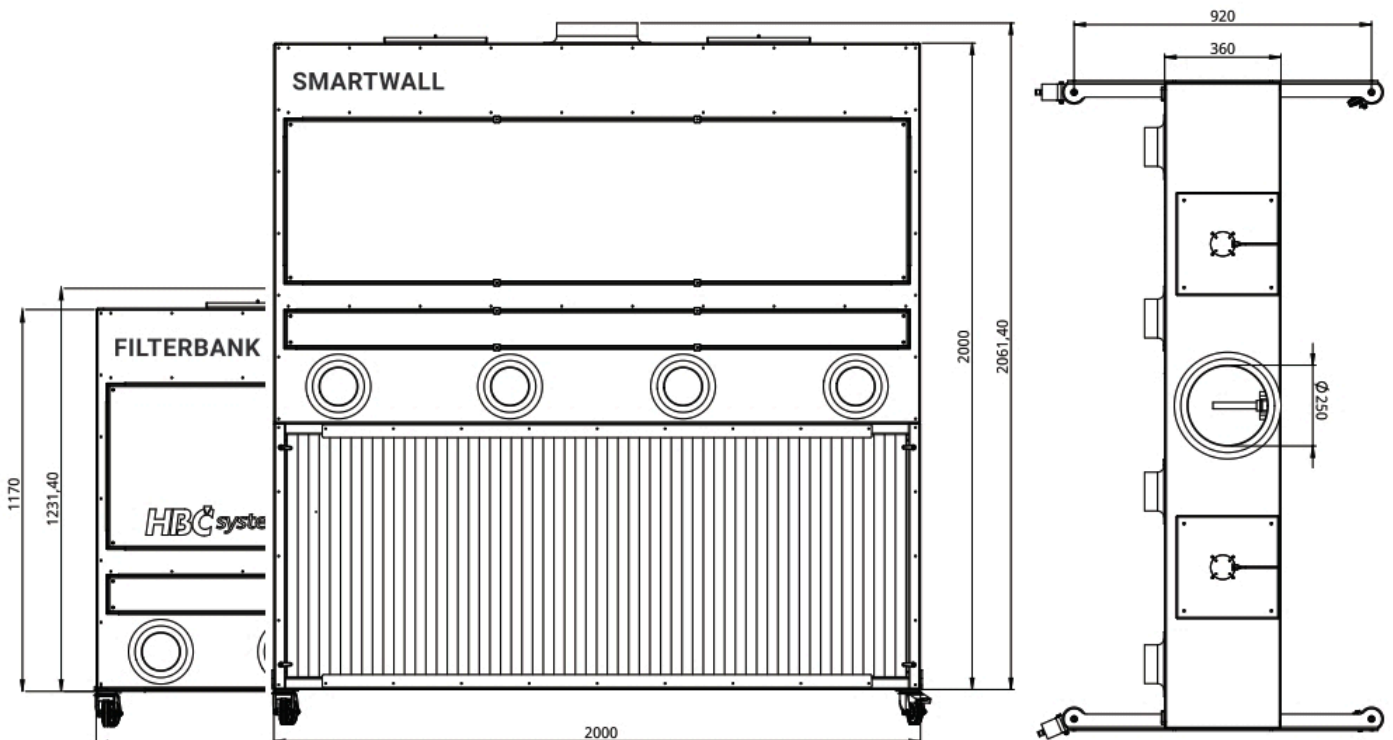
Cylinder Activated Carbon Filter

tested according to ISO 10121



Filterbank + Air inlet = SMARTWALL

Smartwall
SM3000



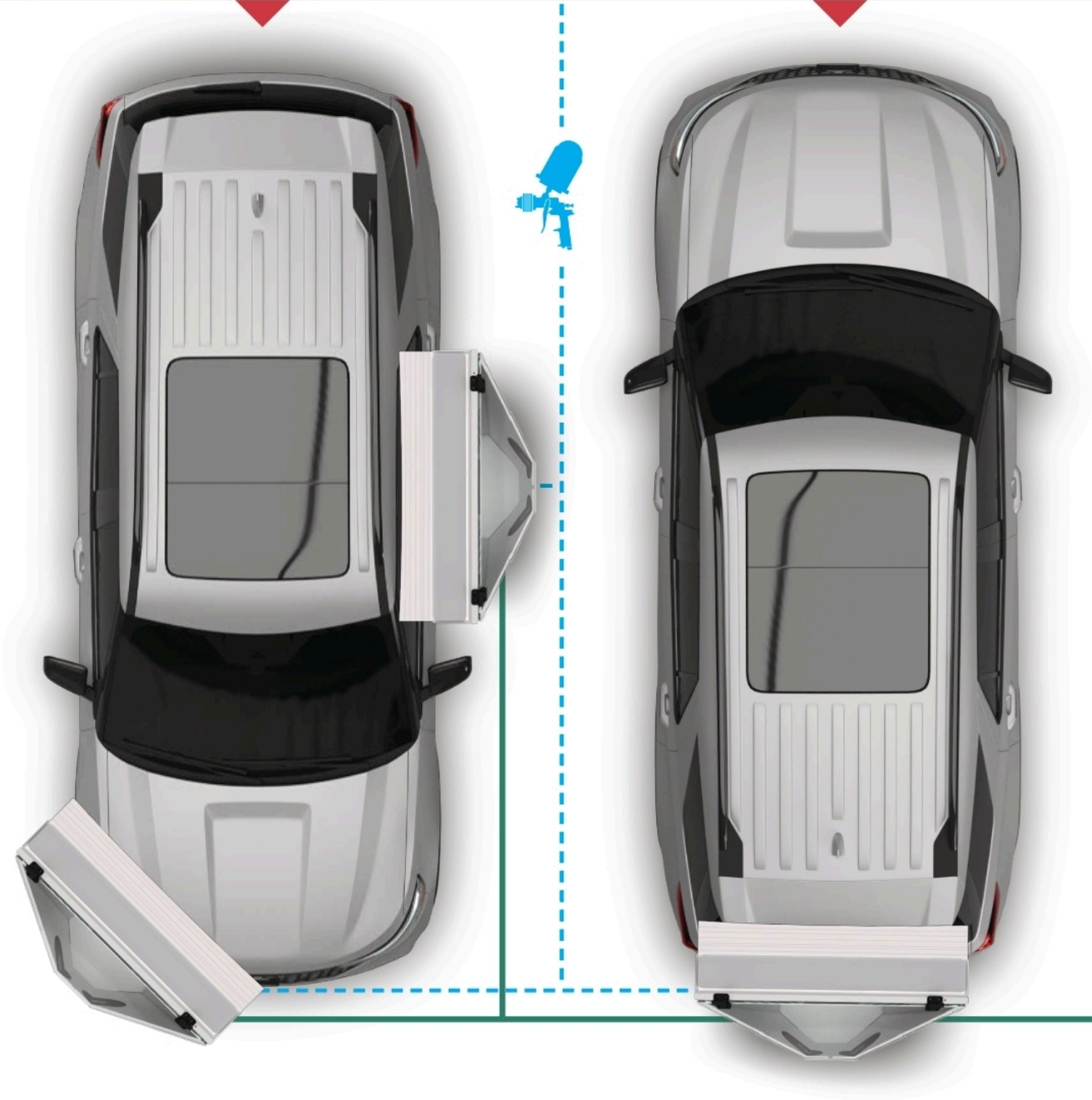
INTELLIGENT

MONITORING SYSTEM

Work Zone Sensors
monitor volatile organic compound (VOC)

Workzone 1

Workzone 2



Outlet Exhaust air Sensor
monitors volatile organic compound (VOC)

Spray guns air supply
shutdown if VOC
sensors detect overload



A single illuminated button makes it simple to change between modes with pre-determined parameters specified - taking into account the temperature, airflow, the electronics (on/off), alarm controls, etc.

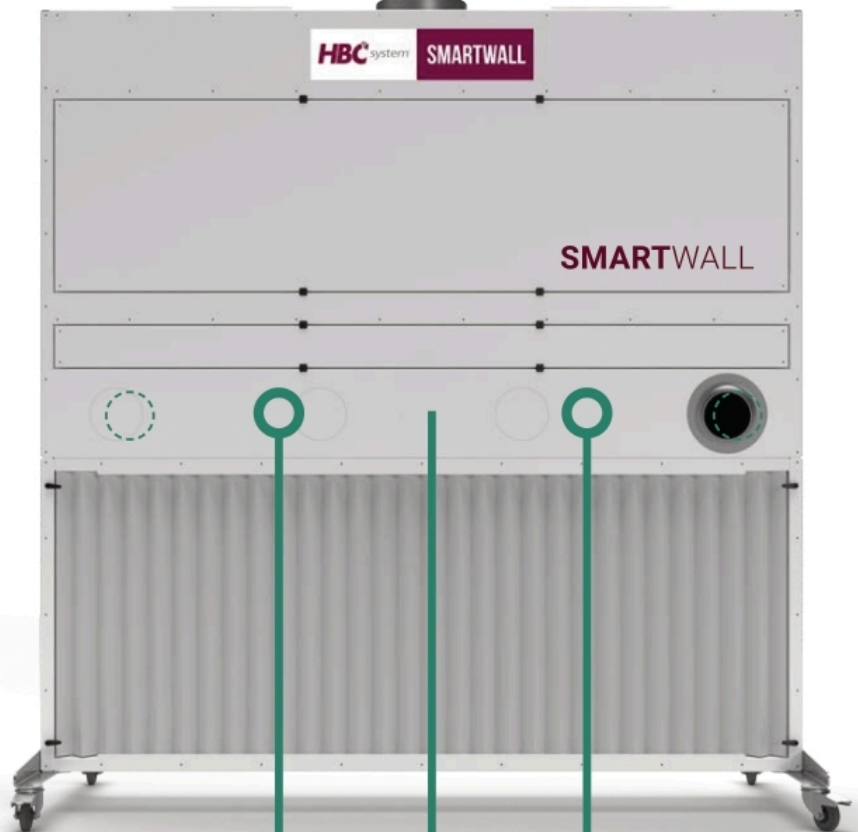
oneTouch

- SLEEP
- SPRAY
- PREP
- DRYING

Intelligent Fan control system

- Automatic airflow**
Automatic air flow adjusting system
- Fan construction**
2 x intelligent Radial fans

Exhaust Air inlet
Flex hose from Hybrid
Spray Booth



INNOVATIVE

OPERATING SYSTEM

The SmartWall and Filterbank operating system is 100% web based

Work Zone Sensors

monitor volatile organic compound (VOC)

Spray guns air supply valve

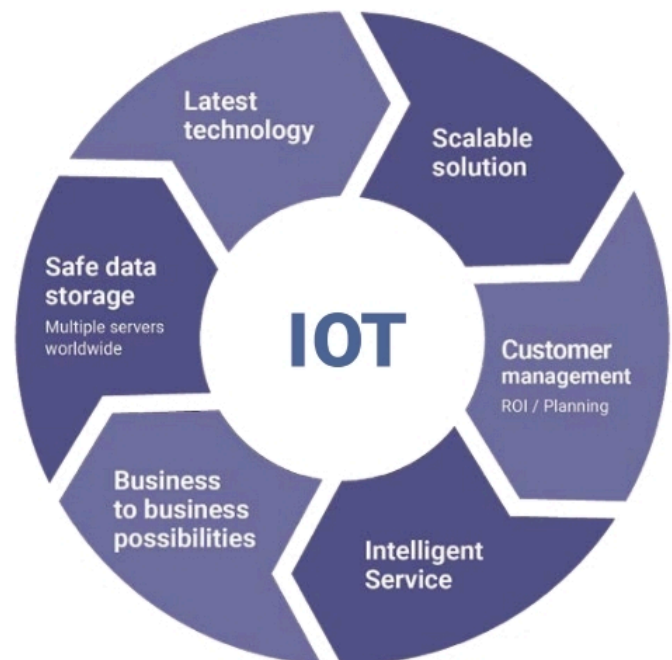
shutdown if VOC sensors detect overload

Outlet Exhaust air Sensor

monitors volatile organic compound (VOC)



- ✓ Predictive use of filters
- ✓ Recommended time for filter change
- ✓ Service interval based on performance
- ✓ Remote assistance
- ✓ Evaluation and optimization through SAS





- ✓ Airflow setting for up to 10 Hybrids/ Smartwalls/Filterbanks
- ✓ Filterbank / Smartwall status
- ✓ Real time outlet air quality control
- ✓ Alarm for filter change
- ✓ VOC Real-time Sensor Alarm system
- ✓ Real time Work zone air quality control
- ✓ Workflow and VOC history backup
- ✓ Differential monitor pressure before and after the filter unit

Type of data monitoring	Used for
VOC (Volatile Organic Compounds)	Measuring the outlet air quality to ensure clean air.
Air Speed	To ensure the required air speed.
Humidity	To adjust the fan speed pending on humidity based on filter touch time.
Temperature	To adjust the fan speed pending on temperature based on filter touch time.
Differential pressure	To adjust the fan speed pending on the usages of each level of filter.
Fan speed	To validate the optimal fan speed.
Spray gun air feed supply	In event that VOC levels are higher than permitted the VOC source is shut off.
Electronic components	To used within the alarm log of each unit.

FLEXIBLE

RECIRCULATION PAINT BOOTH

Designed explicitly for smaller spray painting and sanding jobs, as well as preparation work, the Paint Booth allows you to repair minor damage on the spot.



Self-contained paint booth

An enclosed workspace of 2 x 2 m (or 3 x 3 m) makes it the optimal solution for those who want to offer simple paintwork repairs in a smaller area of their repair workshop. Or for paint shops that require a separate space for the smaller and quicker paint jobs to not interfere with the production flow of their larger spray-painting jobs.

2 x 2 m
SM30001

3 x 3 m
SM30002



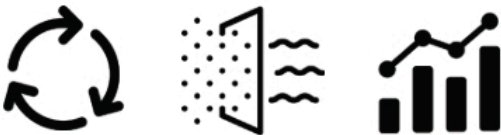
Modular Design. Easy Assembly - est. 6 hours

The paint booth is easy and fast to set up, but also remarkably simple to relocate, adapting to your evolving needs.



Closed Loop System

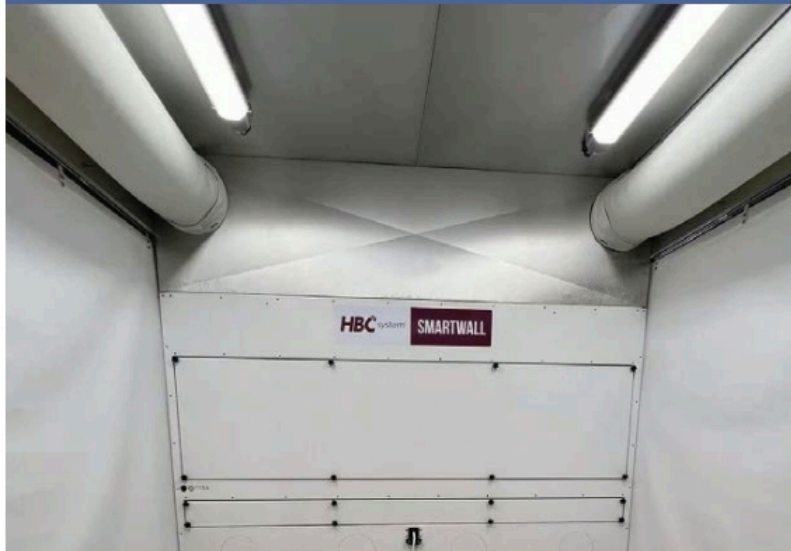
The Recirculation Paint Booth operates seamlessly within a self-contained loop, ensuring a self-sufficient environment without the necessity of permanent constructions or additional ventilation setups. This not only simplifies the installation process but also enhances the flexibility, making it an ideal choice for a wide array of industrial applications. The absence of side posts for the roof allows for accommodating larger objects within the booth.



Experience next-level versatility with this exceptional Paint Booth - a true industry standout. Its advanced filtration system filters out all VOCs to efficiently recycle clean air in a closed loop, self-sufficient solution, ensuring a clean and healthy working

Recirculation Paint Booth (SM30002) consists of

- A** The Smartwall Extraction Unit
- B** Roof with inlet pipes
- C** 2 Side curtains
- D** Access front strip see-through curtain
- E** 2 ATEX approved high LUX LED lights





OUTSIDE THE BOX

HBC *system*[®]

HBC Systems A/S
Hobrovej 963, DK9530 Stovring, Denmark
Tel. +45 7022 7070 info@hbc-system.com



www.hbc-system.com